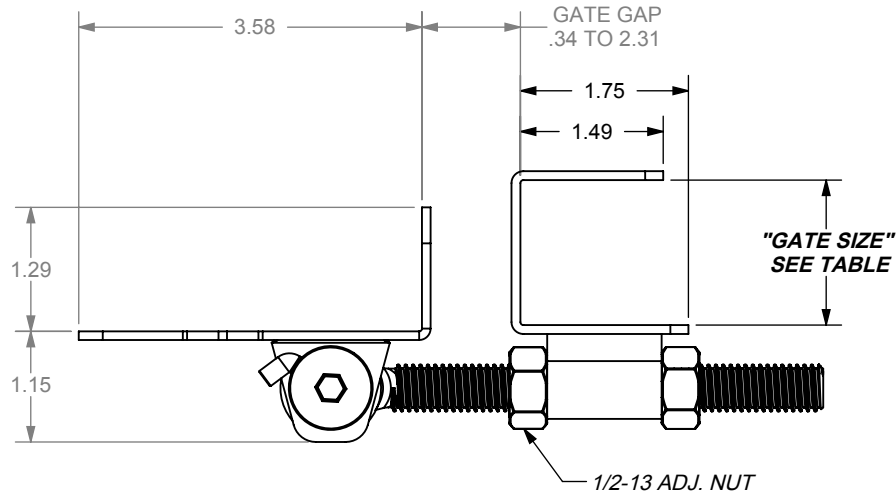
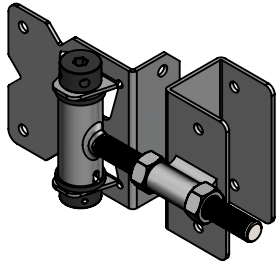


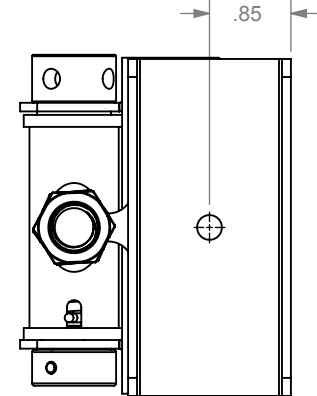
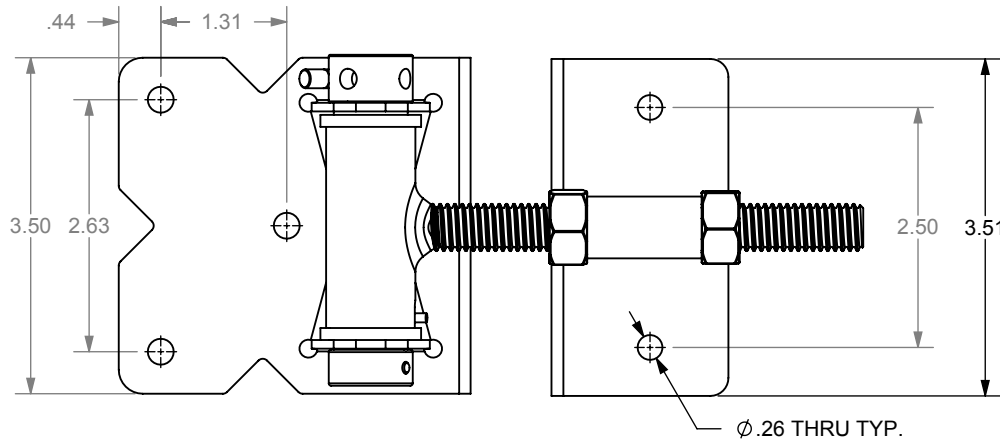
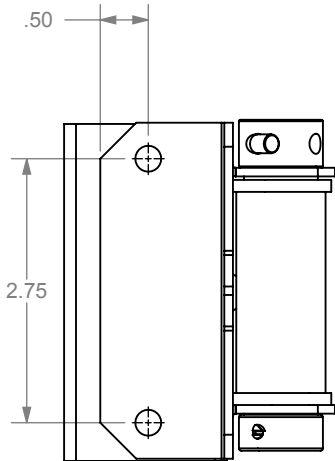
REVISIONS		DATE	APPD
ECR/DCR	REV.	DESCRIPTION	
-	-	INITIAL RELEASE	3/3/16



PACKAGING INSTRUCTIONS

EACH SET TO BE POLYBAGGED CONTAINING:

- (2) HINGE ASSEMBLY (WITHOUT ADJUSTMENT PIN) INDIVIDUALLY POLYBAGGED.
- HARDWARE POLYBAGGED CONTAINING:
 (20) #14 X 3/4 PAN HD PH SCREW
 (1) 1/4 HEX "L" ALLEN WRENCH
 (2) ADJUSTMENT PIN
 (1) INSTRUCTION CARD



PART NO.	GATE SIZE	COLOR	L*	a*	b*	G*
NW6082SCP-SSB	1.75"	BLACK	24	0	0	35
NW6082SCP-SSW	1.75"	WHITE	94.5	-1.4	1.5	80
NW6082ACP-SSB	1.50"	BLACK	24	0	0	35
NW6082ACP-SSW	1.50"	WHITE	94.5	-1.4	1.5	80
NW6082BSCP-SSB	2.0"	BLACK	24	0	0	35
NW6082BSCP-SSW	2.0"	WHITE	94.5	-1.4	1.5	80

NOTES:

- PART TO HAVE A NON-ABRASIVE FINISH.
- PART TO HAVE MIN. DRAFT ANGLE AS TOOLING REQUIRES.
- ANY AND ALL CHANGES TO MATERIAL OR FINISH MUST BE APPROVED BY NWT.
- ALL DIAMETERS TO BE CONCENTRIC WITHIN .005 UNLESS OTHERWISE SPECIFIED.
- ALL CORNERS TO BE .015 MAX R OR CHAMFER OR OTHERWISE NOTED.
- ALL DIMENSIONS ARE FINISHED PART DIMENSIONS.
- POWDERCOAT FINISH TO BE INTERPON 600 OR NWT APPROVED EQUIVALENT.
- NO FLASH ALLOWED.
- REMOVE ALL BURRS, BREAK CORNERS, AND SHARP EDGES.

DIMENSIONS ARE IN INCHES
 TOLERANCES:
 FRACTIONAL ±1/16"
 ANGULAR: MACH ±1° BEND ±1°
 TWO PLACE DECIMAL ±0.01
 THREE PLACE DECIMAL ±0.005

PROPRIETARY AND CONFIDENTIAL
 THE INFORMATION CONTAINED IN THIS DRAWING IS THE SOLE PROPERTY OF NATIONWIDE INDUSTRIES. ANY REPRODUCTION IN PART OR AS A WHOLE WITHOUT THE WRITTEN PERMISSION OF NATIONWIDE INDUSTRIES IS PROHIBITED.

NATIONWIDE INDUSTRIES

SELF CLOSING SS WRAP AROUND ADJUSTABLE HINGE

SIZE DWG. NO. **CS--NW6082SCP** REV. -
 SCALE:1:2 WEIGHT: SHEET 1 OF 1