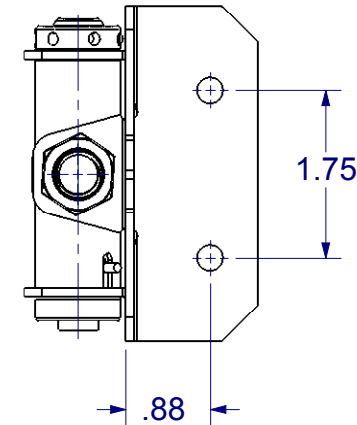
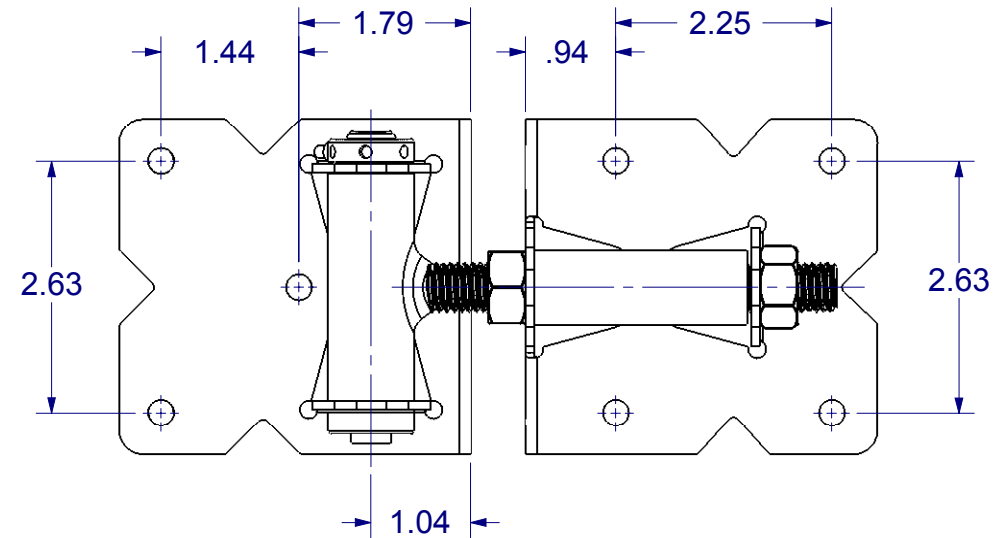
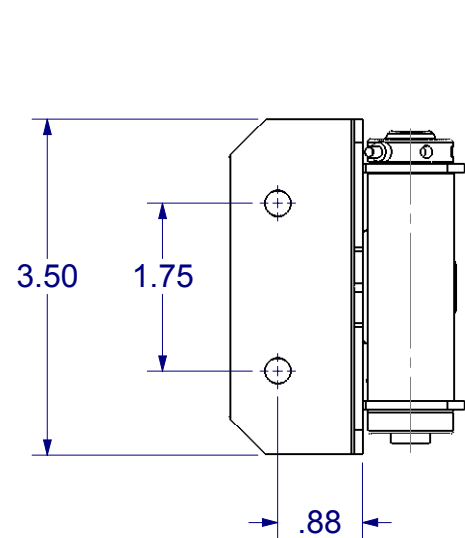
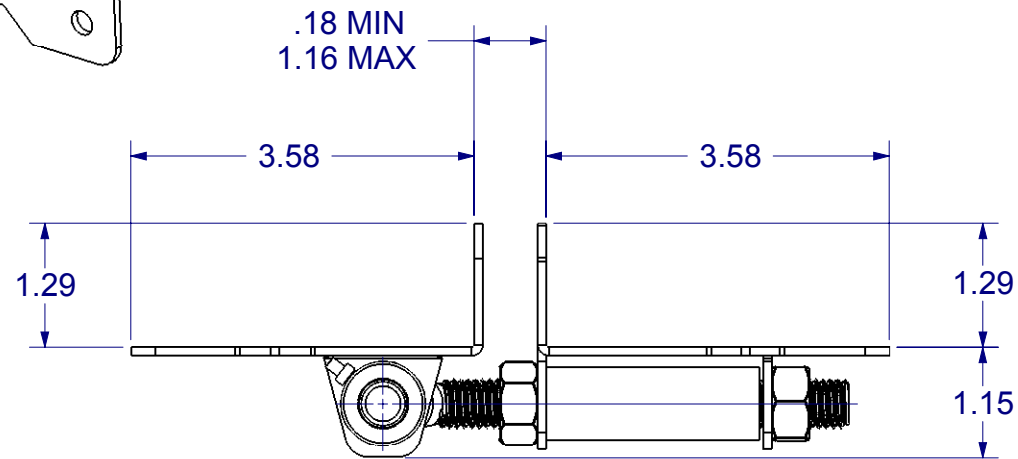
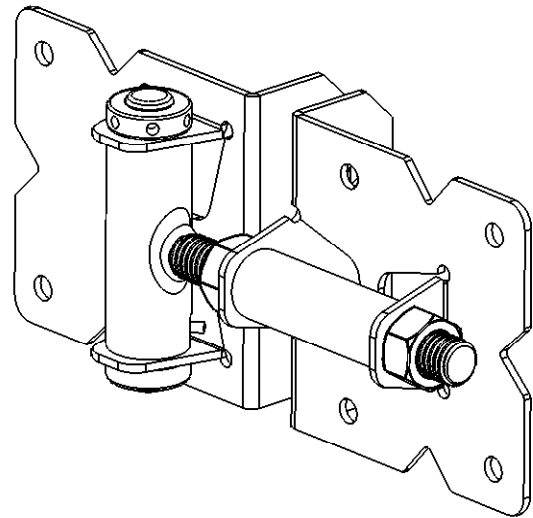
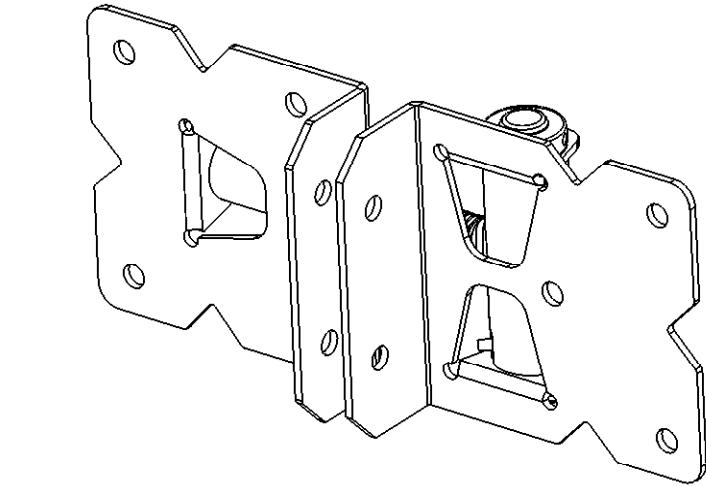


PART NO.	COLOR	L*	a*	b*	G*	SCREW
NW171NASC-SSB	BLACK	24	0	0	35	SHEET METAL
NW171NASC-SSW	WHITE	94.5	-1.4	1.5	80	SHEET METAL
NW171NASC-SSRC	RUBBED COPPER	-	-	-	-	SHEET METAL
NW171NASC-SSBD	BLACK	24	0	0	35	SELF DRILLING
NW171NASC-SSWD	WHITE	94.5	-1.4	1.5	80	SELF DRILLING

ECR/DCR REV.		REVISIONS DESCRIPTION	DATE	APPD
-	-	INITIAL RELEASE	08-28-08	EET
-	1	REVISED TO MATCH CURRENT PROD. DWG	11-18-08	EET

PACKAGING INSTRUCTIONS:

- 1) #14 MOUNTING SCREWS & ADJUSTING ROD TO BE POLYBAGGED (22) SCREWS & (1) ADJUSTING ROD PER PACKAGE.
- 2) HINGE SET TO CONTAIN 2 HINGE ASSEMBLIES; 1 PACKAGE OF #14 MOUNTING SCREWS & ADJUSTING ROD.
- 3) BOX TO CONTAIN 12 HINGE SETS.



(1) ADJUSTING ROD

SELF DRILLING HINGE MOUNTING SCREWS
(22) #14 X 1" SS HEX WSHR HEAD SCREWS

OR**

SHEET METAL HINGE MOUNTING SCREWS
(22) #14 X 3/4" SS PHILIPS PANHEAD SCREWS

(2) SELF-CLOSING ADJUSTABLE HINGE ASSEMBLY

NOTES:

1. PART TO HAVE A NON-ABRASIVE FINISH.
2. PART TO HAVE MIN. DRAFT ANGLE AS TOOLING REQUIRES.
3. ANY AND ALL CHANGES TO MATERIAL OR FINISH MUST BE APPROVED BY NWI.
4. ALL DIAMETERS TO BE CONCENTRIC WITHIN .005 UNLESS OTHERWISE SPECIFIED.
5. ALL CORNERS TO BE .015 MAX R OR CHAMFER OR OTHERWISE NOTED.
6. ALL DIMENSIONS ARE FINISHED PART DIMENSIONS.
7. MATERIAL: 304 (STAMPED PARTS), 3 SERIES FOR OTHER COMPONENTS (BASED ON MFG. REQ.)
8. POWDERCOAT: INTERPON 600

DRAFT COPY

DIMENSIONS ARE IN INCHES
TOLERANCES:
FRACTIONAL ±1/16"
ANGULAR: MACH ±1° BEND ±1°
TWO PLACE DECIMAL ±0.01
THREE PLACE DECIMAL ±0.005



SELF-CLOSING ADJUSTABLE HINGE

PROPRIETARY AND CONFIDENTIAL
THE INFORMATION CONTAINED IN THIS DRAWING IS THE SOLE PROPERTY OF NATIONWIDE INDUSTRIES. ANY REPRODUCTION IN PART OR AS A WHOLE WITHOUT THE WRITTEN PERMISSION OF NATIONWIDE INDUSTRIES IS PROHIBITED.

SIZE B	DWG. NO. CS-NW171NASC	REV. 1
SCALE:1:2	WEIGHT:	SHEET 1 OF 1